



INFORMATION BULLETIN

No.006

TO : All CCS Lightning Dealers

DATE : April 10, 2007

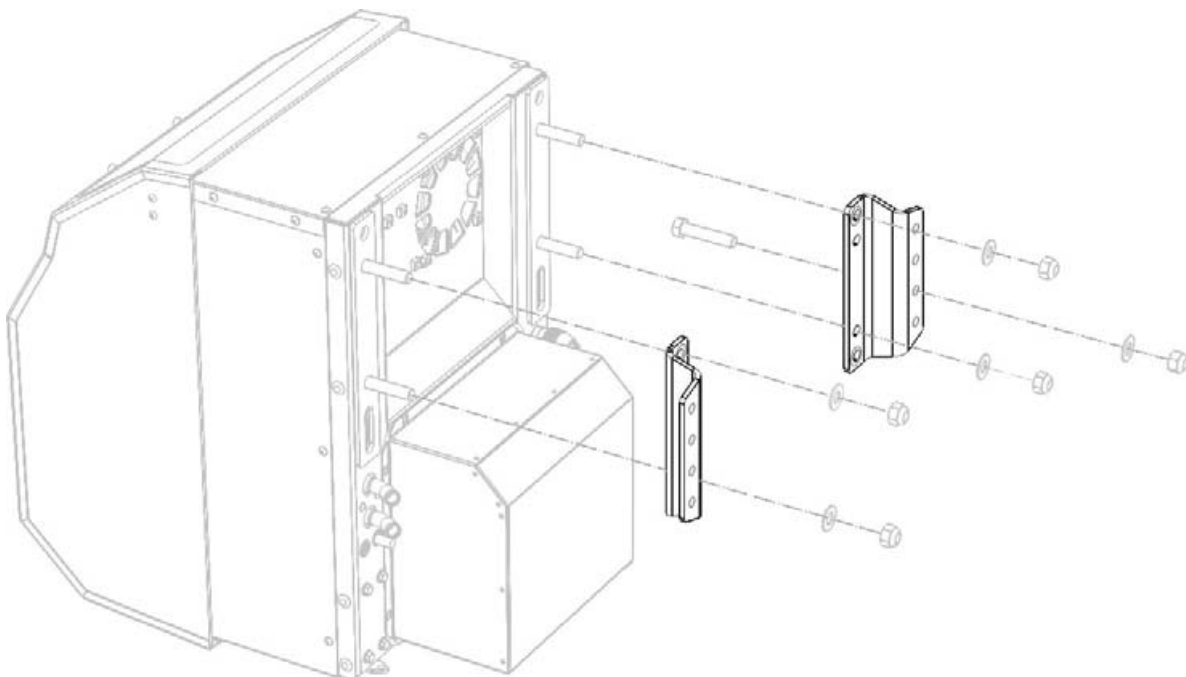
SUBJECT : **APU MOUNTING BRACKETS**

The CCS Lightning APU Mounting Brackets Kit P/N **1066203** is now available from Mechtron Power Systems.

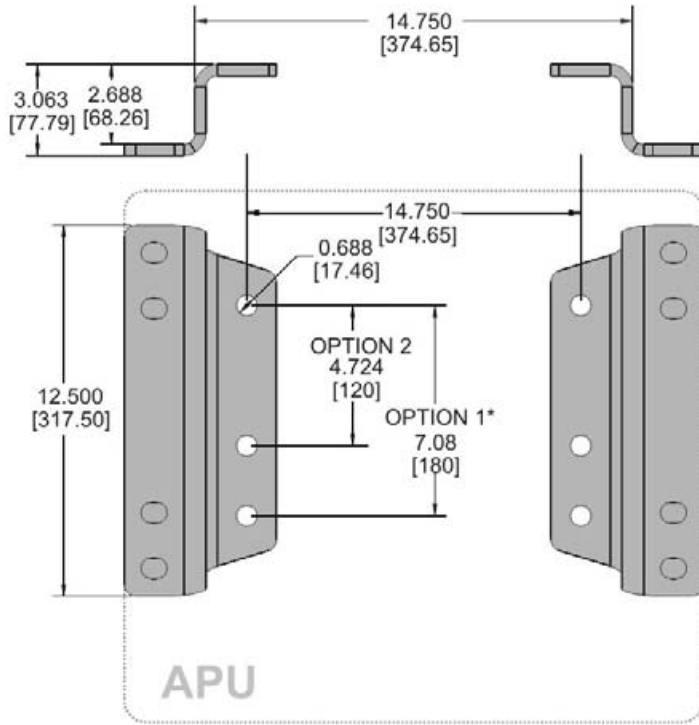
These 3" offset brackets can be used to assist in the installation of the APU when existing bolts or material interfere with flush mounting the APU on the frame of the truck.

CAUTION

- Provide adequate ground clearance - the APU must have adequate ground clearance and be mounted no more than 2" above the frame.
- Ensure adequate tolerance to components located close by.
- If the truck has air suspension, ensure that the suspension is pressurized.

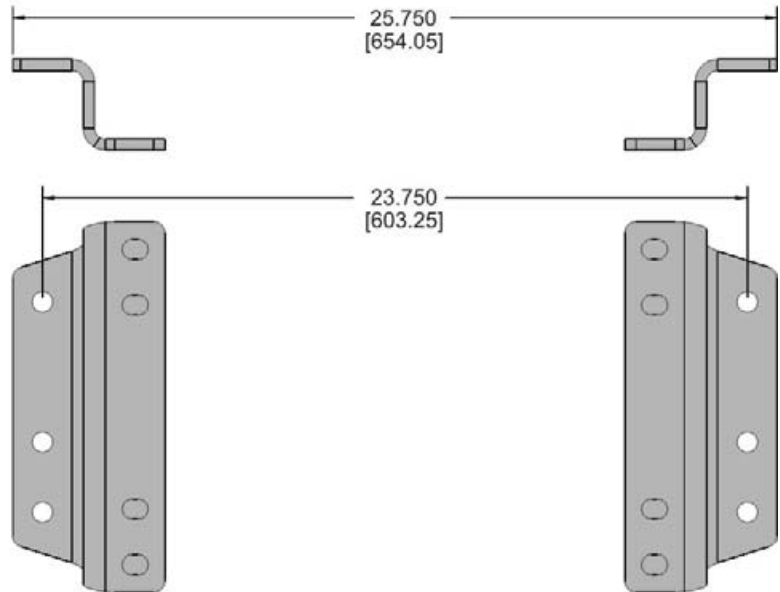
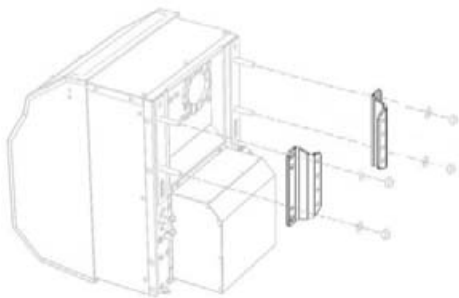


OPTION A

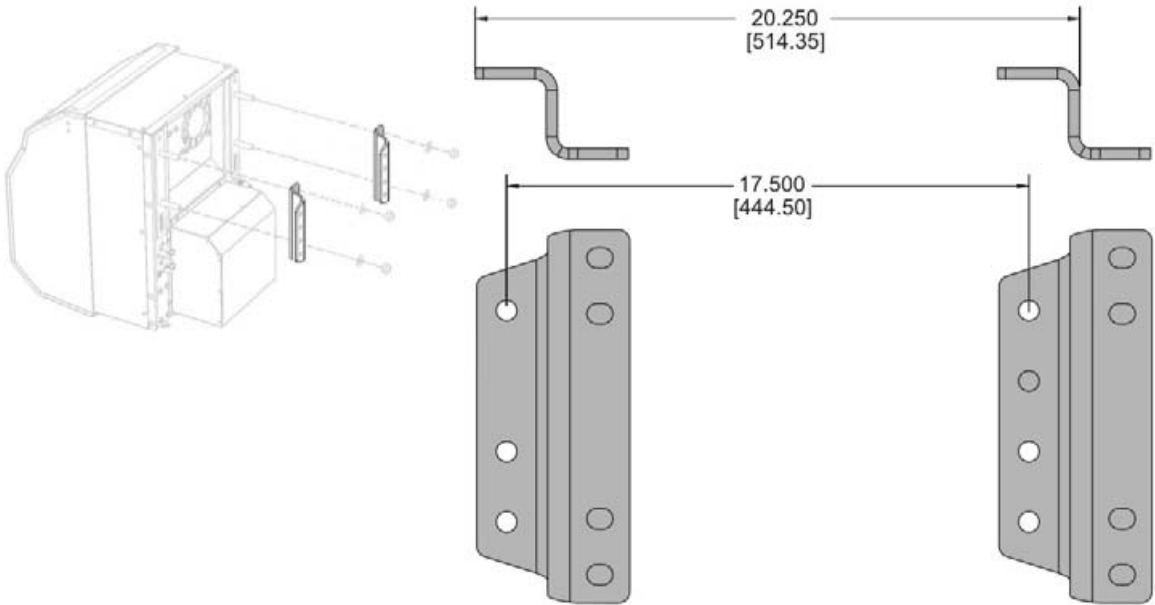


* OPTION 1 is preferred

OPTION B



OPTION C



OPTION D

